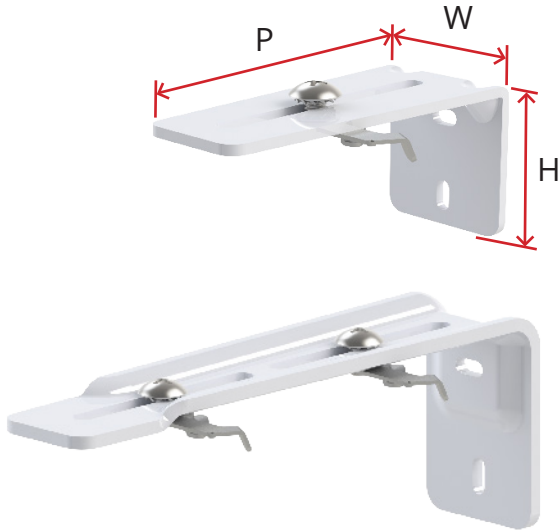


Brackets

The SilenTrac by Current Luxury offers standard, low profile, and ceiling/recessed pocket brackets for both single and dual applications. Brackets come with camlock features that insert into the top profile of the track with an arm that turns to lock the track into place. Additional safety screws tighten from the top to ensure a reliable fit. Camlock arms can be closed in the front or in the back of the track for improved visuals.

DIMENSIONS

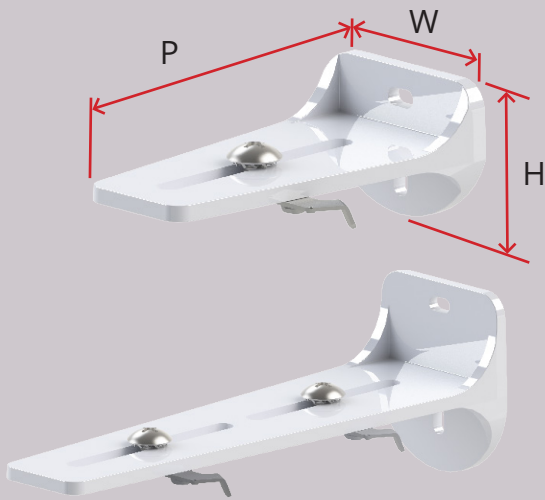
Standard Brackets



Height	1.8"
Width	1.7"
Projection	4.0"

Height	2.6"
Width	1.7"
Projection	7.3"

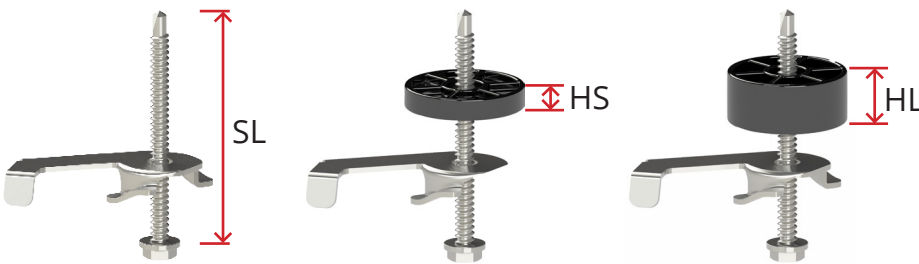
Low Profile Brackets



Height	1.6"
Width	2.1"
Projection	4.0"

Height	2.5"
Width	2.1"
Projection	7.3"

Ceiling/recessed pocket Brackets



For No Fascia

For 3.0", 4.0", 7.0", and 11.0" Fascia

For 1.5" Fascia

Screw Length	2.0"
Height Small	0.2"
Height Large	0.4"