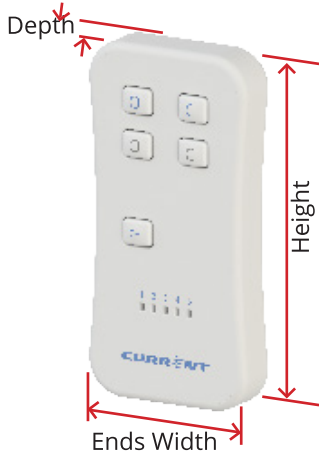


## Handheld Remote

The ergonomic handheld remote for the SilenTrac allows for precise control over both single and dual track draperies. Customization of control is encouraged, as this remote comes with five individual channels and one "all-channel". The remote is shipped with an adhesive backed magnetic wall plate and brad nails, making installation easy-no matter where the customer wants the unit installed.

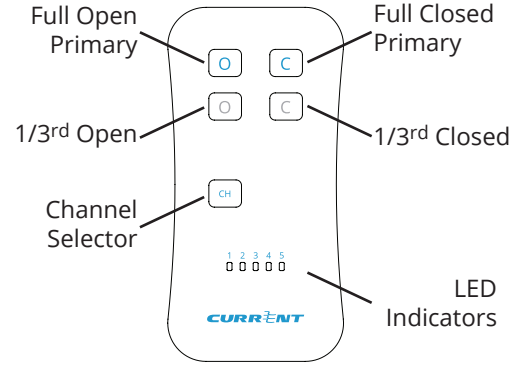
### DIMENSIONS & WEIGHT

Handheld Remote

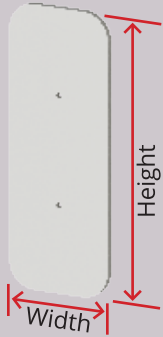


Height	3.3"
Ends Width	1.6"
Middle Width	1.4"
Depth	0.5"
Weight	0.1 lbs

Using the Remote Control-Single Drapery

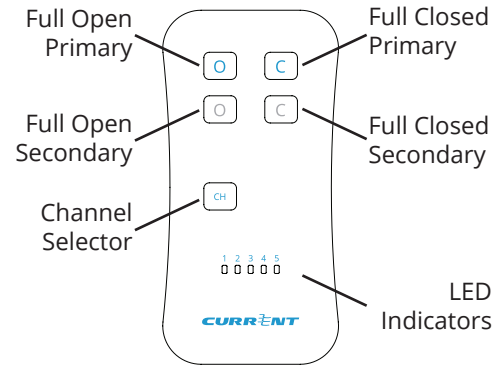


Magnetic Mounting Plate



Height	2.6"
Width	1.0"
Depth	0.04"

Using the Remote Control-Dual Drapery



### COMMUNICATION PROTOCOL

Zigbee	802.15.4	Expected Range: 50 ft unobstructed
FM	434.625 MHz 2FSK	Expected Range: 50 ft unobstructed

### POWER

Battery powered	CR2032   3 year life expectancy
-----------------	---------------------------------

### FEATURES

Mounting plate	Designed to nest behind remote   Adhesive or brad nail installation options.
Multi-Channel	5 channels and an All Channel with LED feedback.
Variable use	Controls both single and dual drapery for full and partial opening and closing.
Full Control	Remote can send the curtain to full or intermediate positions via press and hold or release.
Ergonomic	Designed to fit in the human hand naturally.