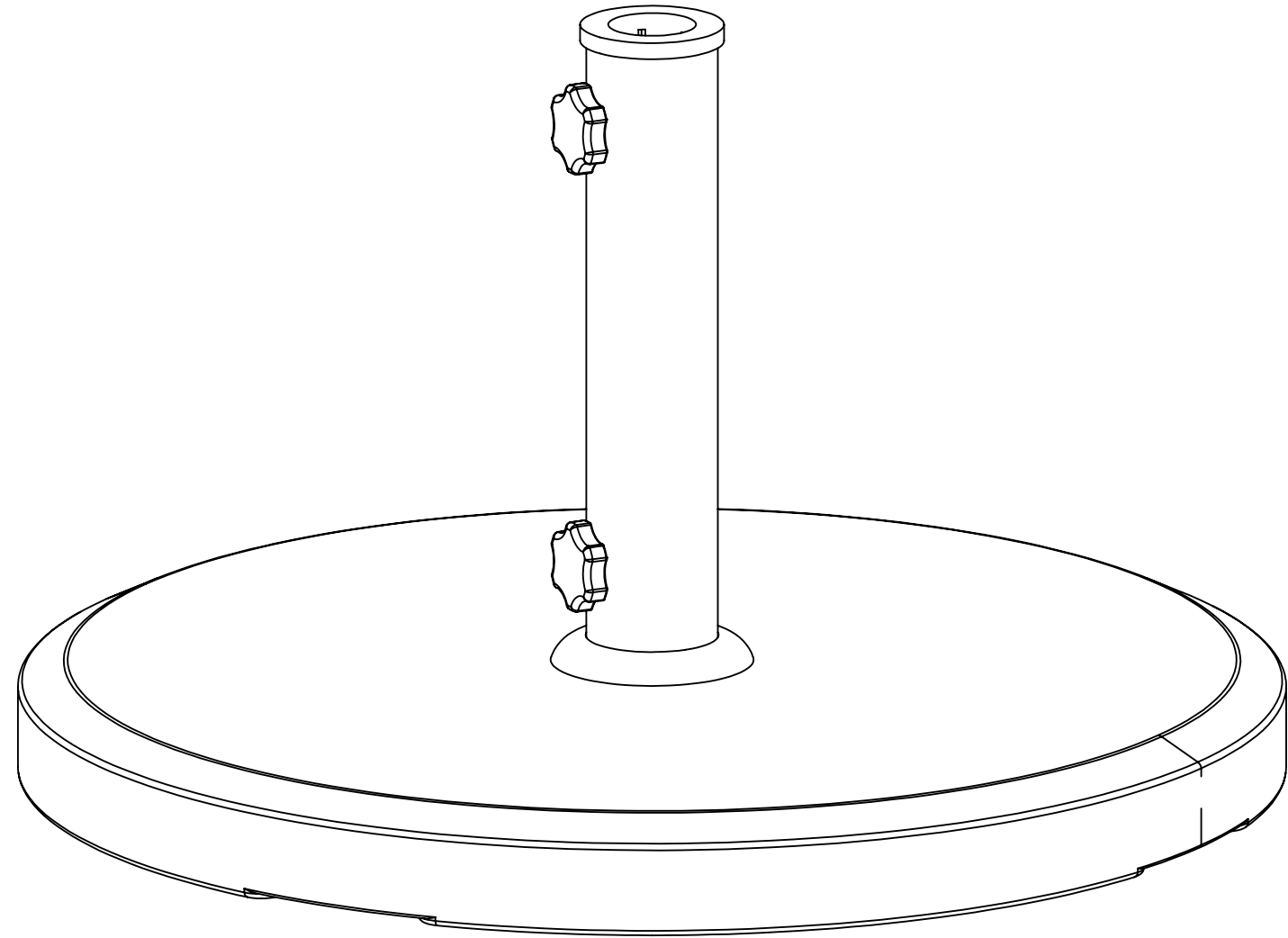
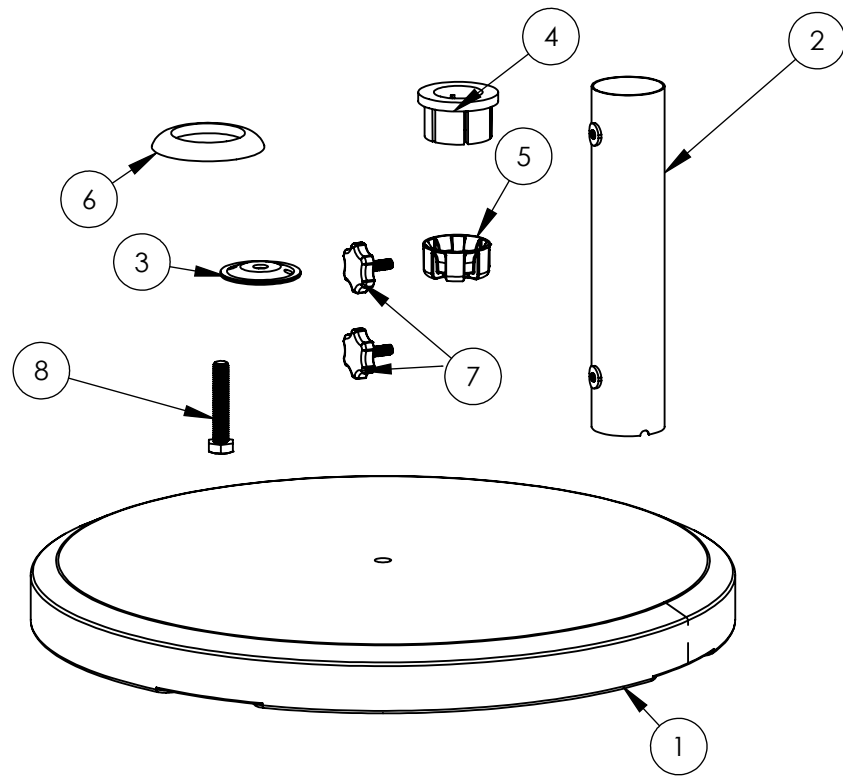


CURRENT

Luxury

UMBRELLA BASE ASSEMBLY

PARTS



Item No.	Description	QTY.
1	UMBRELLA BASE	1
2	UMBRELLA BASE STEEL TUBE ASSEMBLY	1
3	UMBRELLA BASE POLE CAP	1
4	UMBRELLA BASE TOP INSERT	1
5	UMBRELLA BASE BOTTOM INSERT - BLACK	1
6	UMBRELLA BASE RING	1
7	UMBRELLA BASE TIGHTENING SCREW	2
8	HEX BOLT M12 X 1.75MM	1

CURRENT

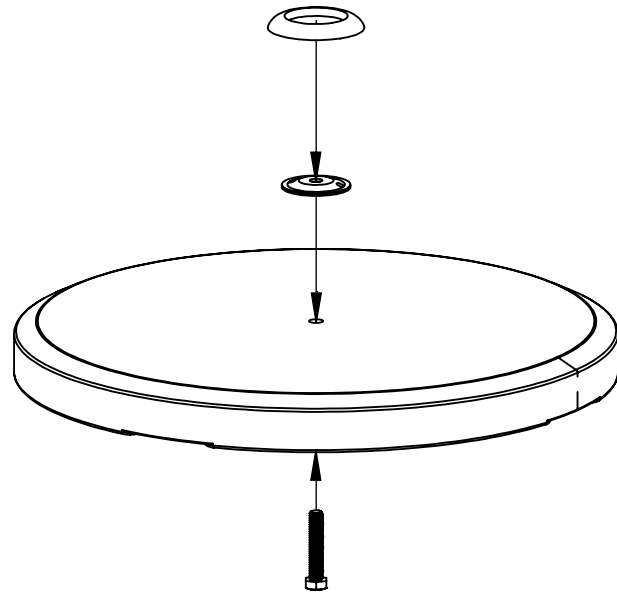
Luxury

ASSEMBLY

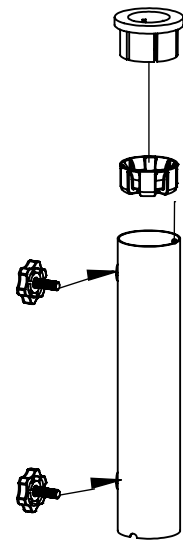
1 - Insert base bolt (8) into the bottom of the base (1) and set the plastic pole cap (3) and ring (6) as shown below

2 - Place the bottom (5) and top insert (4) into the base tube (2) as shown and thread the tightening screws (7) into holes.

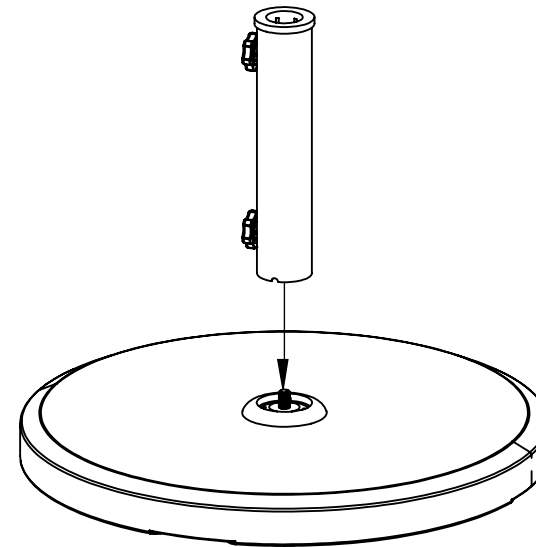
3 - Install the base tube assembly onto the base (1) by screwing the assembly to the base bolt (8)



Step 1



Step 2



Step 3

NOTE:

For optional Double Base Configuration

- Stack extra base on top of original base
- Use longer bolt included with second base

Care and Maintenance:

1. Wash with mild household detergent and water to maintain the condition of this product.
2. To prevent damage from strong wind, close umbrella when not in use and when inclement weather is expected.

Customer service and Warranty information:

- For customer service regarding assembly, installation, and warranty of this product, please call 850-444-8408.