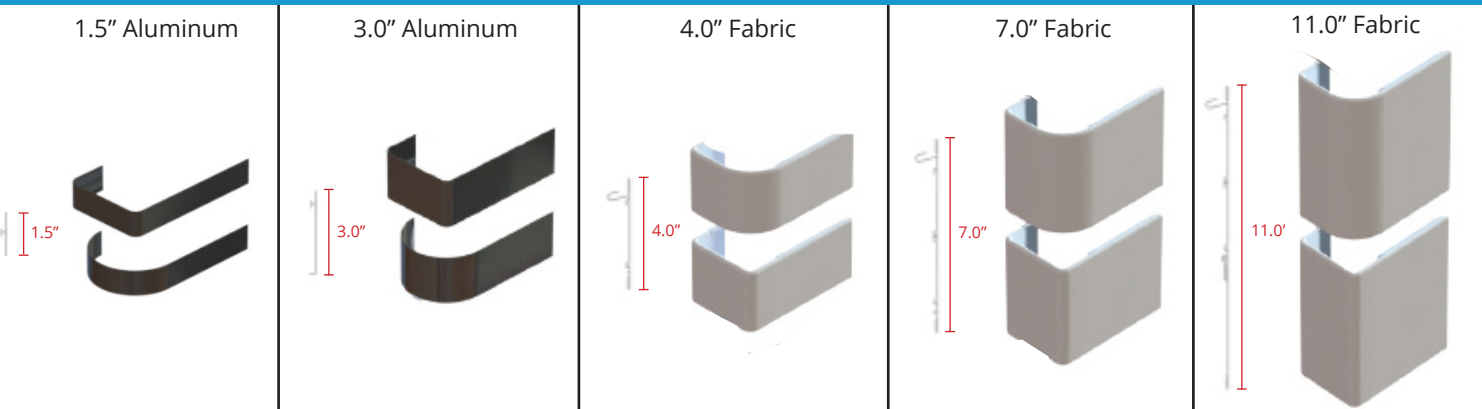


Fascia

Current Luxury has designed a proprietary fascia to integrate directly into the track extrusion eliminating the need for any additional brackets to install the fascia. Fascias are available in a variety of sizes and finishes. For customers seeking fascia with custom fabric, a COM option is available. This fascia system provides options to meet the needs of any room's style, and is completely installer-friendly.

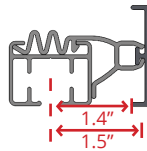


Returns specified and bent to order.

Flexible internal aluminum insert allows returns to be formed in the field.

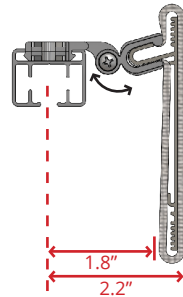
Clips

Fixed



Used with 1.5\"/>

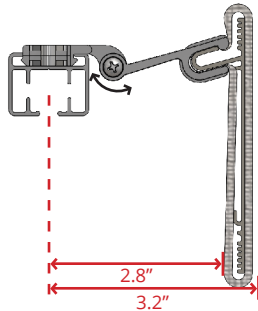
Tiltable short



Used with 1.5\", 3.0\", 4.0\", 7.0\", and 11.0\"/>

Recommended for Pinch Pleat

Tiltable long

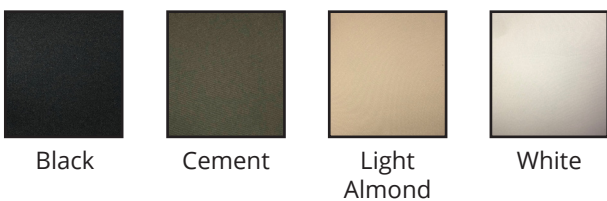


Used with 1.5\", 3.0\", 4.0\", 7.0\", and 11.0\"/>

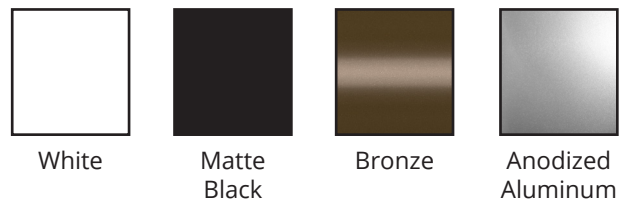
Recommended for Ripplefold or Pin Ripple

Finishes

Fabric Finishes



Aluminum Finishes



Actual colors may vary slightly.