

CURRENT

Luxury

Umbrella Assembly & Installation Instructions

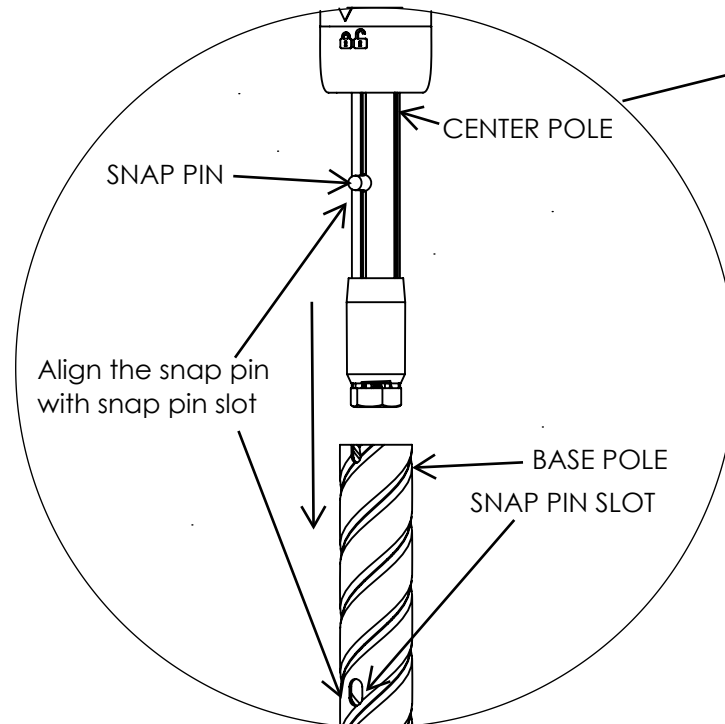
PARTS



Umbrella Canopy

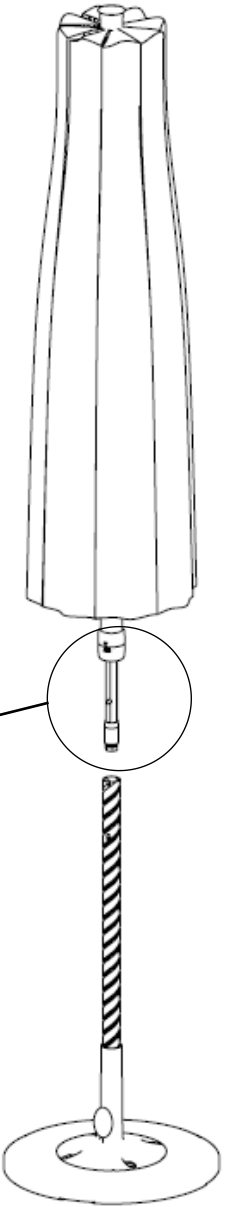


Base Pole



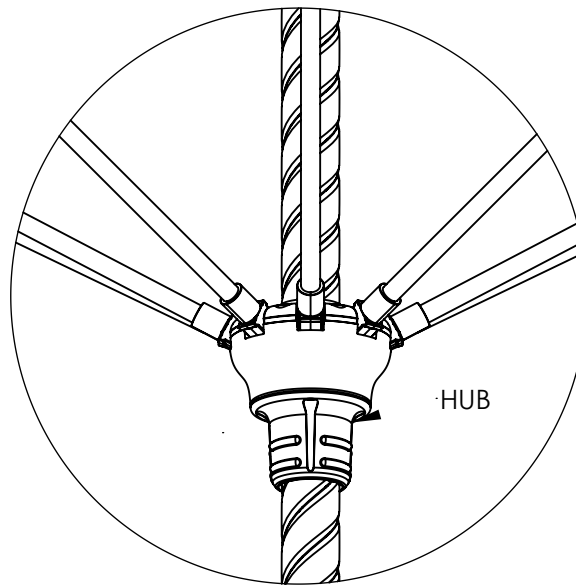
ASSEMBLY

- 1) Insert the base pole into the base.
(optionally through a table)
- 2) Firmly tighten the screw on the base until the base pole is secure.
- 3) Lift the canopy and insert it into the base pole –PINCH POINT WARNING–, carefully press the snap pin and slide the canopy pole into the base pole until the pin snaps into the pin slot
- 4) You have now securely installed your new Helux Manual Umbrella.



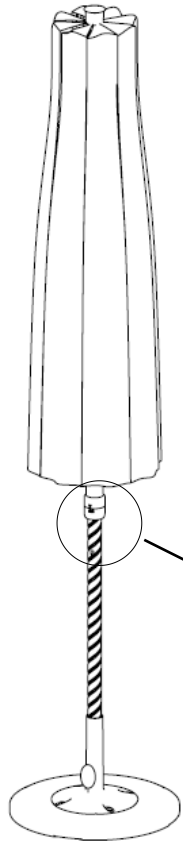
CURRENT

Luxury

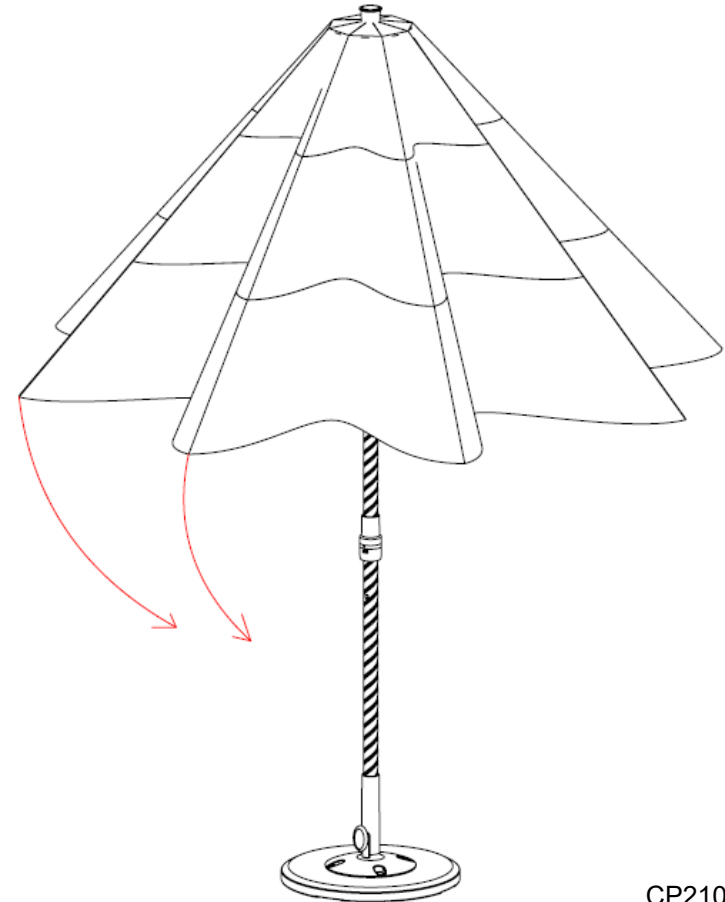
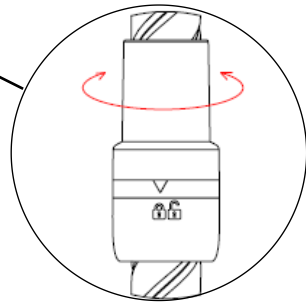


3. The umbrella can be opened utilizing the open assist by simply guiding it up for easy open, pushing the hub up on the rib assembly or rotating the center pole.
4. Once in open position, or in any desired position, simply twist the locking handle clockwise to lock the umbrella.
5. To close the umbrella twist the locking handle counter-clockwise to unlock, step to the outside of the canopy and guide the ribs on the canopy to the closed position by pulling down, twist the locking handle clockwise to lock.

OPERATION



1. Reach below the canopy to locate the locking handle.
2. Twist the locking handle counter-clockwise to unlock the umbrella.



Care and Maintenance:

1. Wash with mild household detergent and water to maintain the condition of this product.
2. Let canopy fully dry before storing.
3. Close canopy when not in use.
4. Close and store umbrella when inclement weather is expected.

Customer Service and Warranty information:

- For customer service regarding assembly, installation, and warranty of this product, please call 850-444-8408.