

—

—

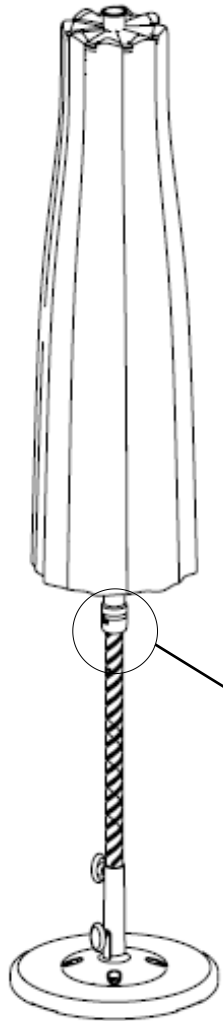
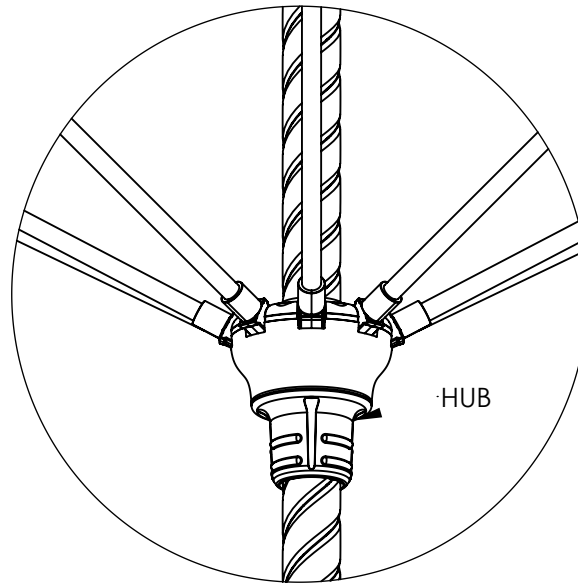
—

—

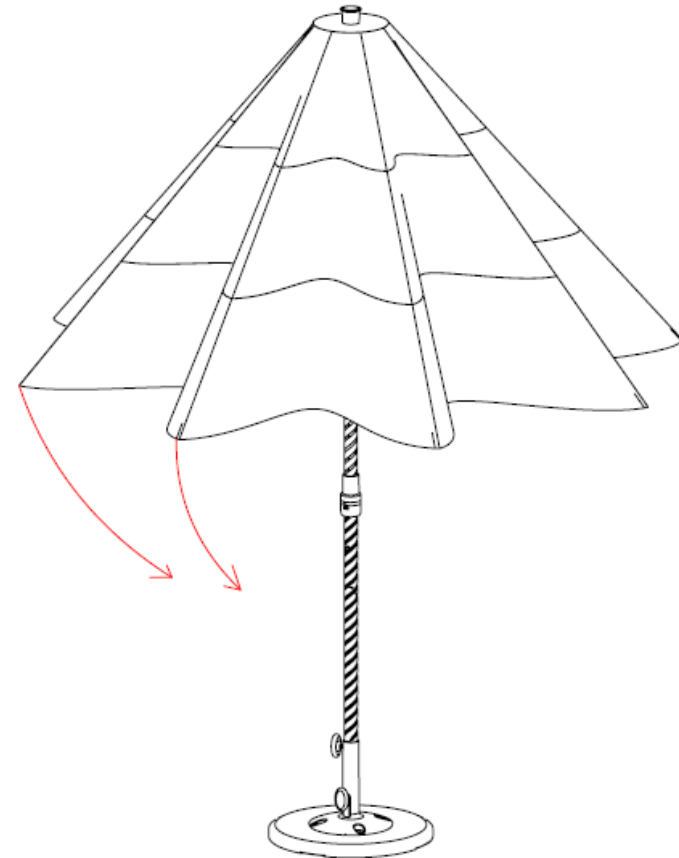
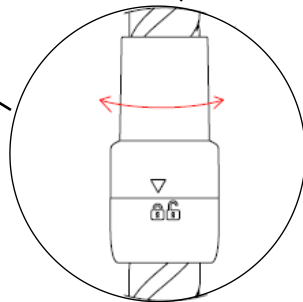
MANUAL HELUX INSTRUCTIONS

For additional help during installation of your helux umbrella, visit currentluxury.com/dealer-resources/ or call 1-844-307-7435.

1. The umbrella can be opened utilizing the "Open Assist", push the hub up on the rib assembly and rotate the center pole, making sure the canopy is taut.
2. Once in open position, or in any desired position, simply twist the locking handle 1/2" to lock the umbrella.
3. To close the umbrella twist the locking handle 1/2" to unlock, rotate the helical pole to close. Step to the outside of the canopy and push downward on the ribs of the canopy to the closed position by pulling down and holding canopy, twist the locking handle 1/2" to lock.

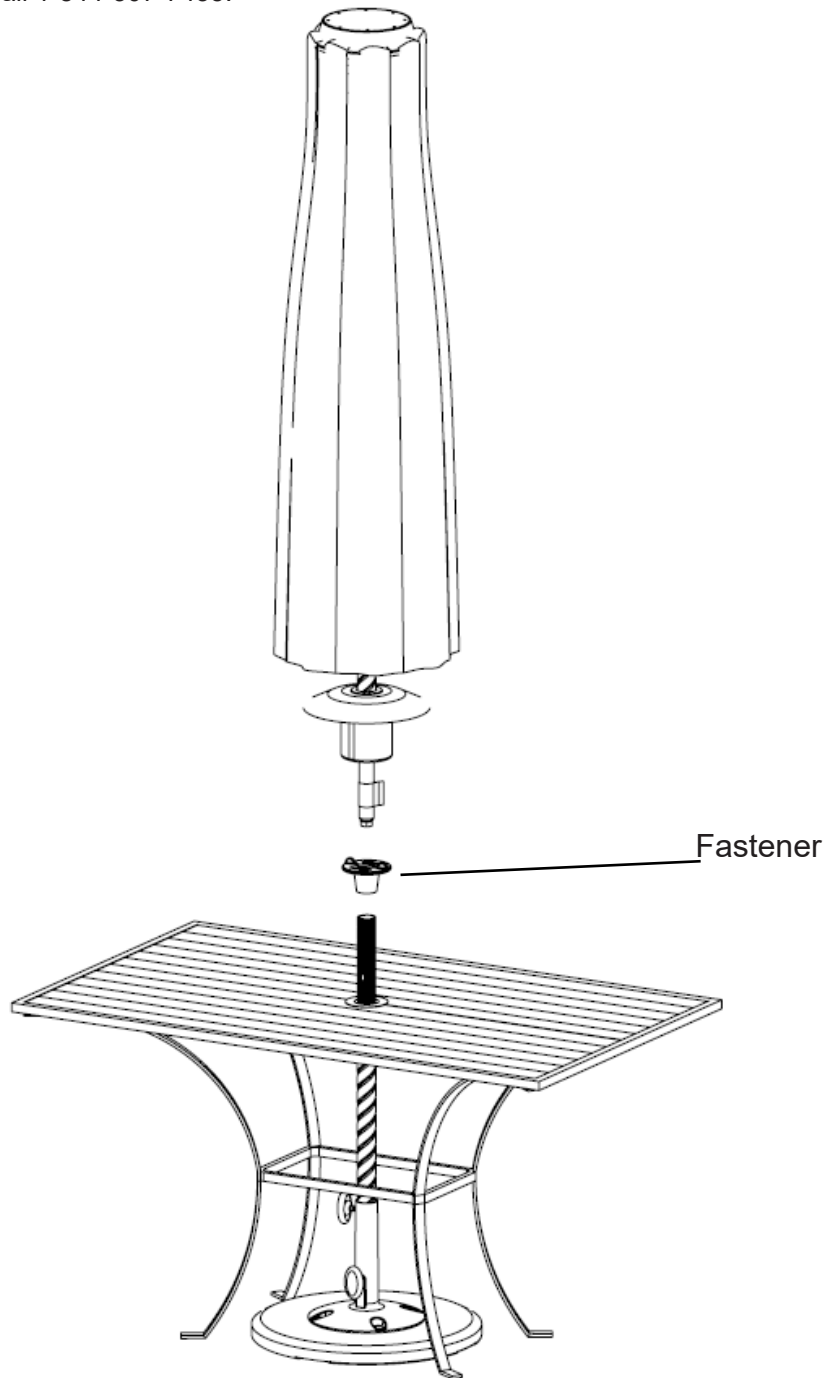


Twist the locking handle 1/2" to unlock or lock the umbrella.



FITTING HELUX UMBRELLA TO AN EXISTING TABLE

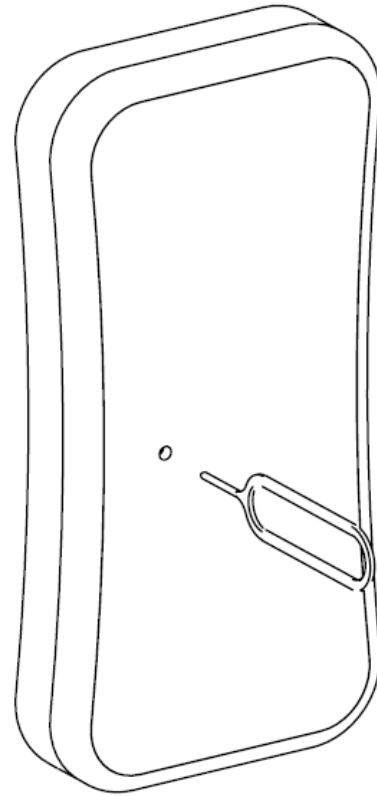
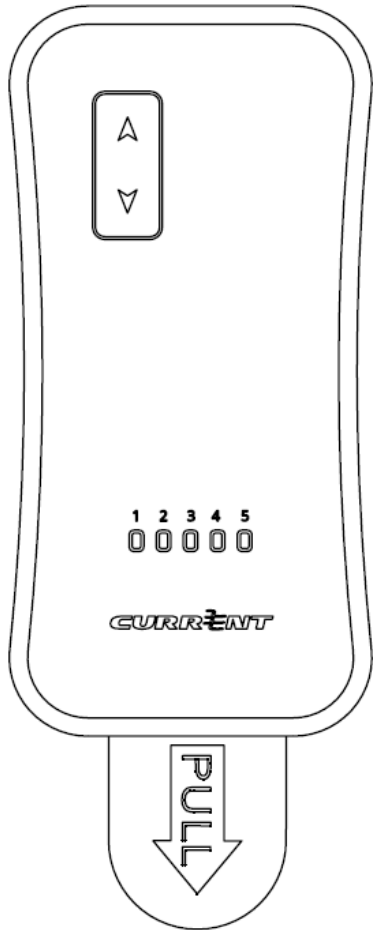
For additional help during installation of your helux umbrella, visit currentluxury.com/dealer-resources/ or call 1-844-307-7435.



1. Insert the base pole through the hole in the table into the base. Please the fine treads up, make sure to tighten set screws on the base.
2. Place the fastener on the base pole threads and turn clockwise until tight. The fastener is designed with a tapered insert to integrate seamlessly with most tables.
3. The purpose of this fastener is to better secure the Helux umbrella using the stability of your existing table.

UMBRELLA REMOTE INSTRUCTIONS

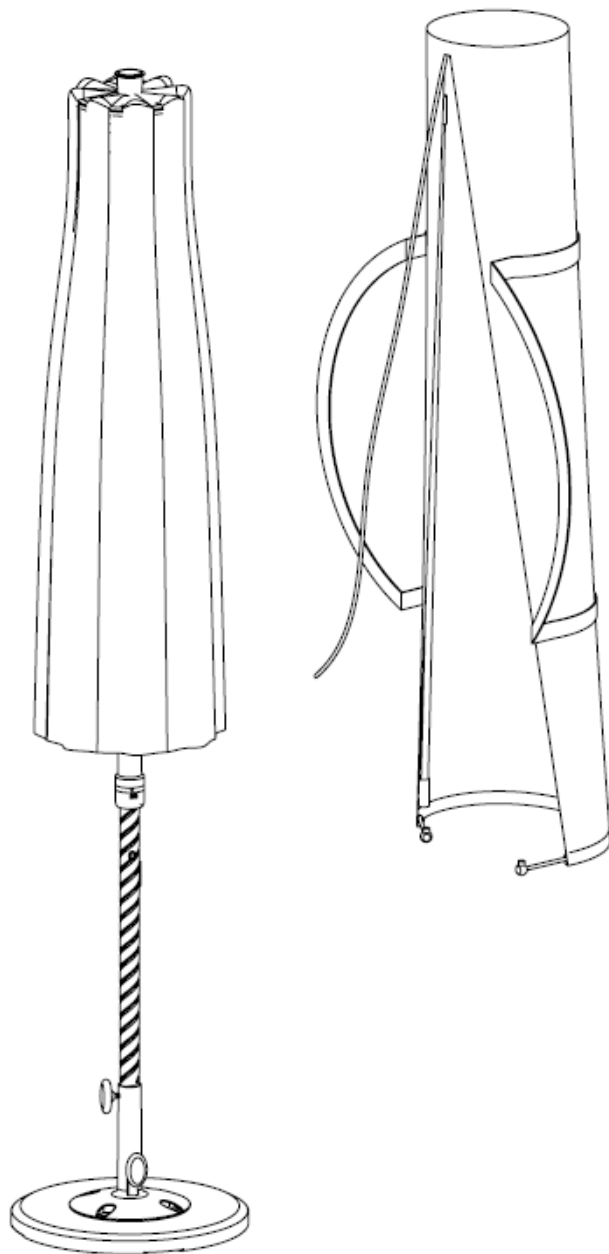
For additional help during installation of your helux umbrella, visit currentluxury.com/dealer-resources/ or call 1-844-307-7435.



1. Pull plastic tab from the remote base, Remove battery from the umbrella motor and plug in the power on the inside of the motor housing.
2. Press and release the program button on the inside of the motor housing.
3. Press and release the button on the back of the dog bone remote with the pin tool or paper clip. Immediately after pressing the button the back of the remote. Press and release the up button on the front of the remote. The umbrella will jog to confirm that it is programmed to the remote.

UMBRELLA COVER INSTRUCTIONS

For additional help during installation of your helux umbrella, visit currentluxury.com/dealer-resources/ or call 1-844-307-7435.



1. To protect your Helux umbrella when not in use place the cover over the top of the Helux canopy using the fiberglass extension rod located inside the cover, once covered simply pull down on the zipper using the cords attached.